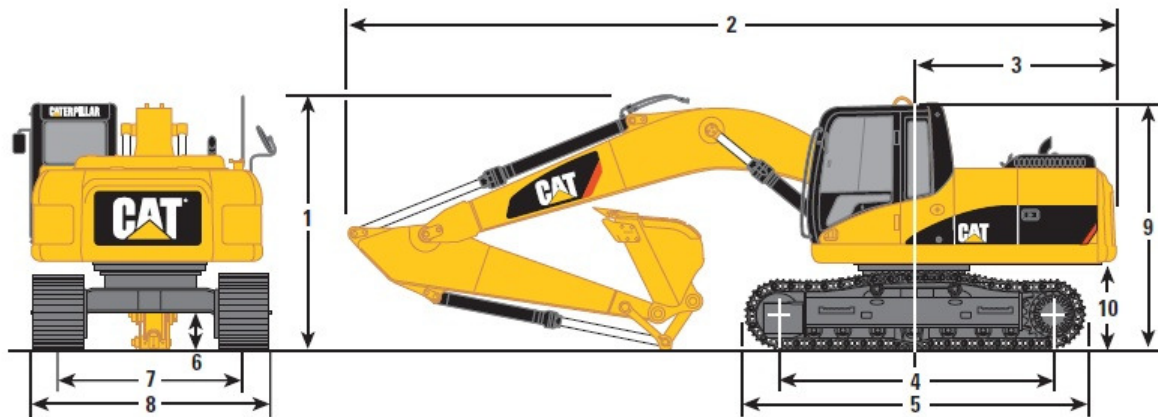




Address
 46 Prince St
 Danvers, MA 01923

Phone
 978-762-RENT (7368)

CAT 312 Dimension Sheet



Boom Options	Reach	Reach	Reach
Stick Options	2.5 m (8'2")	2.8 m (9'2")	3.0 m (9'10")
1 Shipping Height	2830 mm (9'3")	2970 mm (9'9")	2830 mm (9'3")
2 Shipping Length	7610 mm (25'0")	7590 mm (24'11")	7610 mm (25'0")
3 Tail Swing Radius	2140 mm (7'0")	2140 mm (7'0")	2140 mm (7'0")
4 Length to Center of Rollers			
312D	2780 mm (9'1")	2780 mm (9'1")	2780 mm (9'1")
312D L	3040 mm (10'0")	3040 mm (10'0")	3040 mm (10'0")
5 Track Length			
312D	3490 mm (11'5")	3490 mm (11'5")	3490 mm (11'5")
312D L	3750 mm (12'4")	3750 mm (12'4")	3750 mm (12'4")
6 Ground Clearance	430 mm (1'5")	430 mm (1'5")	430 mm (1'5")
7 Track Gauge			
312D	1990 mm (6'6")	1990 mm (6'6")	1990 mm (6'6")
312D L	1990 mm (6'6")	1990 mm (6'6")	1990 mm (6'6")
8 Transport Width	500 mm (20") Shoes	600 mm (24") Shoes	700 mm (28") Shoes
312D	2490 mm (8'2")	2590 mm (8'6")	2690 mm (8'10")
312D L	2490 mm (8'2")	2590 mm (8'6")	2690 mm (8'10")
9 Cab Height	2760 mm (9'1")	2760 mm (9'1")	2760 mm (9'1")
10 Counterweight Clearance	915 mm (3'0")	915 mm (3'0")	915 mm (3'0")