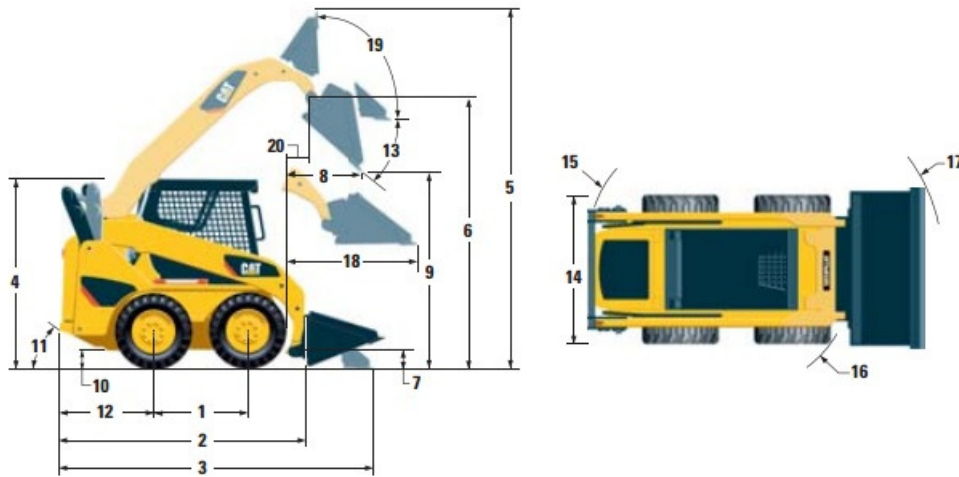




Address
 46 Prince St
 Danvers, MA 01923

Phone
 978-762-RENT (7368)

CAT 252 No Track Skid Steer Dimension Sheet



Dimensions*

1 Wheelbase	1228 mm	48 in
2 Length w/o Bucket	2901 mm	114 in
3 Length w/Bucket on Ground	3616 mm	142 in
4 Height to Top of Cab	2063 mm	82.6 in
5 Maximum Overall Height	4062 mm	160 in
6 Bucket Pin Height at Maximum Lift	3210 mm	126 in
7 Bucket Pin Height at Carry Position	213 mm	8.4 in
8 Reach at Maximum Lift and Dump	829 mm	33 in
9 Clearance at Maximum Lift and Dump	2421 mm	95 in
10 Ground Clearance	196 mm	7.7 in
11 Departure Angle	26.4°	
12 Bumper Overhang Behind Rear Axle	1043 mm	41 in
13 Maximum Dump Angle	51°	
14 Vehicle Width over Tires	1829 mm	72 in
15 Turning Radius from Center – Machine Rear	1679 mm	66 in
16 Turning Radius from Center – Coupler	1362 mm	54 in
17 Turning Radius from Center – Bucket	2167 mm	85 in
18 Maximum Reach w/Arms Parallel to Ground	1257 mm	50 in
19 Rack Back Angle at Maximum Height	88°	
20 Bucket Pin Reach at Maximum Lift	348 mm	13.7 in