

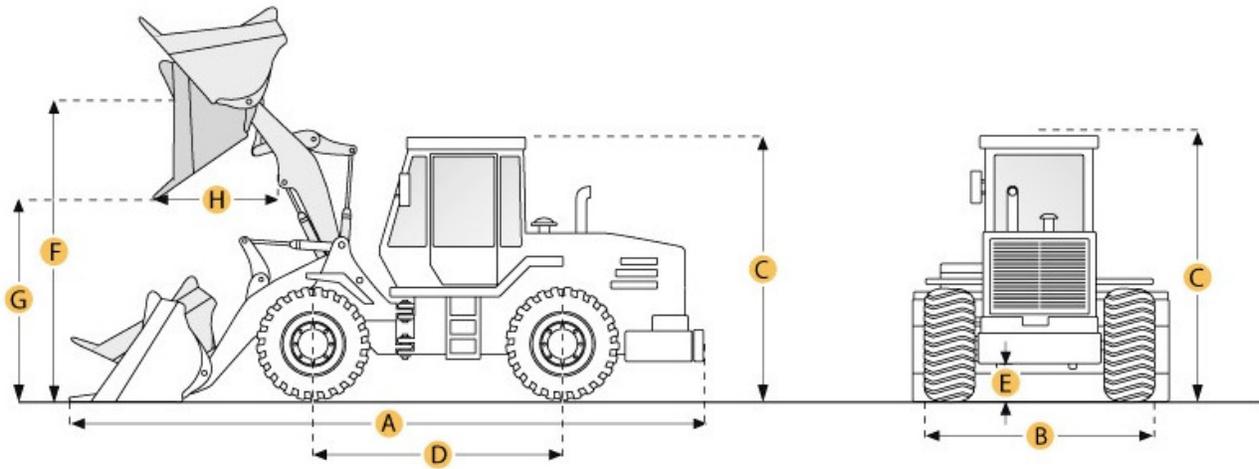


MasterRents

Address
46 Prince St
Danvers, MA 01923

Phone
978-762-RENT (7368)

950 Wheel Loader Dimension Sheet



Bucket	
G. Dump Clearance at Max Raise	9.3 ft in
Dimensions	
A. Length with Bucket on Ground	20.2 ft in
B. Width Over Tires	7.9 ft in
C. Height to Top of Cab	10.9 ft in
E. Ground Clearance	1.3 ft in
F. Hinge Pin - Max Height	12.1 ft in
H. Reach at Max Lift and Dump	2.4 ft in