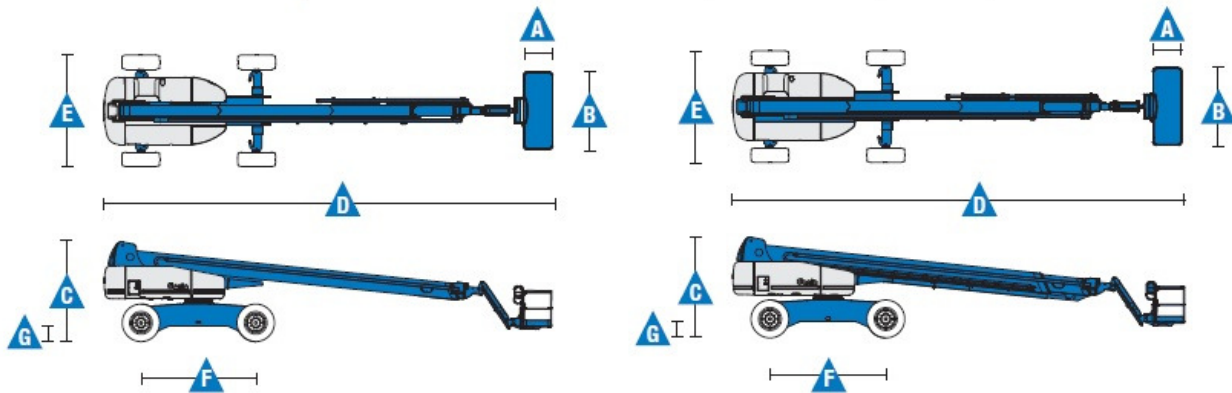




**Address**  
 46 Prince St  
 Danvers, MA 01923

**Phone**  
 978-762-RENT (7368)

## 105ft RT Boom Lift Dimension Sheet



## Specifications

Models	S-105
Measurements	US
Working height maximum*	111 ft
Platform height maximum	105 ft
Horizontal reach maximum	80 ft
Below ground reach	10 ft
<b>A</b> Platform length - 8 ft model	3 ft
Platform length - 6 ft model	2 ft 6 in
<b>B</b> Platform width - 8 ft model	8 ft
Platform width - 6 ft model	6 ft
<b>C</b> Height - stowed	10 ft 1 in
<b>D</b> Length - stowed	46 ft
Length - transport (jib tucked under)	39 ft 11 in
<b>E</b> Width - axles retracted	8 ft 2 in
Width - axles extended	11 ft
<b>F</b> Wheelbase	12 ft
<b>G</b> Ground clearance - center	1 ft 5.5 in