

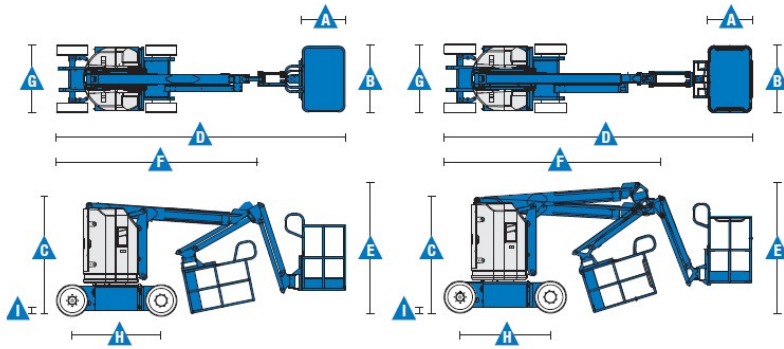


MasterRents

Address
46 Prince St
Danvers, MA 01923

Phone
978-762-RENT (7368)

Z30 20N Electric Boom Lift Dimension Sheet



Specifications

Models	Z-30/20N
Measurements	US
Working height maximum*	36 ft
Platform height maximum	30 ft
Horizontal reach maximum	21 ft 5 in
Up and over clearance maximum	12 ft 8 in
A Platform length	2 ft 6 in
B Platform width	3 ft 10 in
C Height - stowed	6 ft 6.5 in
D Length - stowed	16 ft 9 in
E Storage height	6 ft 10 in
F Storage length	11 ft 6 in
G Width	3 ft 11 in
H Wheelbase	5 ft 3 in
I Ground clearance - center	3.5 in