

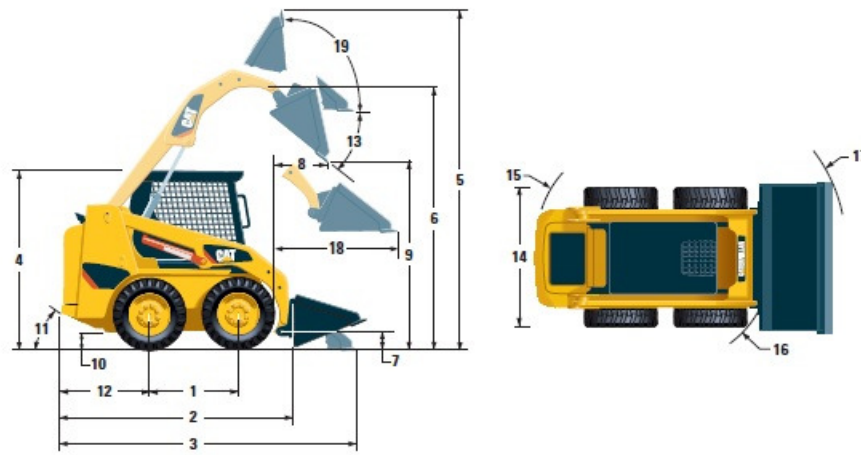


MasterRents

Address
46 Prince St
Danvers, MA 01923

Phone
978-762-RENT (7368)

CAT 236 No Track Skid Steer Dimension Sheet



Dimensions*

1 Wheelbase	1134 mm	45 in
2 Length w/o Bucket	2800 mm	110 in
3 Length w/Bucket on Ground	3515 mm	138 in
4 Height to Top of Cab	2092 mm	82 in
5 Maximum Overall Height	3965 mm	156 in
6 Bucket Pin Height at Maximum Lift	3099 mm	122 in
7 Bucket Pin Height at Carry Position	215 mm	8.4 in
8 Reach at Maximum Lift and Dump	541 mm	21 in
9 Clearance at Maximum Lift and Dump	2398 mm	94 in
10 Ground Clearance	235 mm	9.3 in
11 Departure Angle	28°	
12 Bumper Overhang Behind Rear Axle	1038 mm	41 in
13 Maximum Dump Angle	40°	
14 Vehicle Width over Tires	1676 mm	66 in
15 Turning Radius from Center – Machine Rear	1623 mm	64 in
16 Turning Radius from Center – Coupler	1318 mm	52 in
17 Turning Radius from Center – Bucket	2092 mm	82 in
18 Maximum Reach w/Arms Parallel to Ground	1353 mm	53 in
19 Rack Back Angle at Maximum Height	83°	