

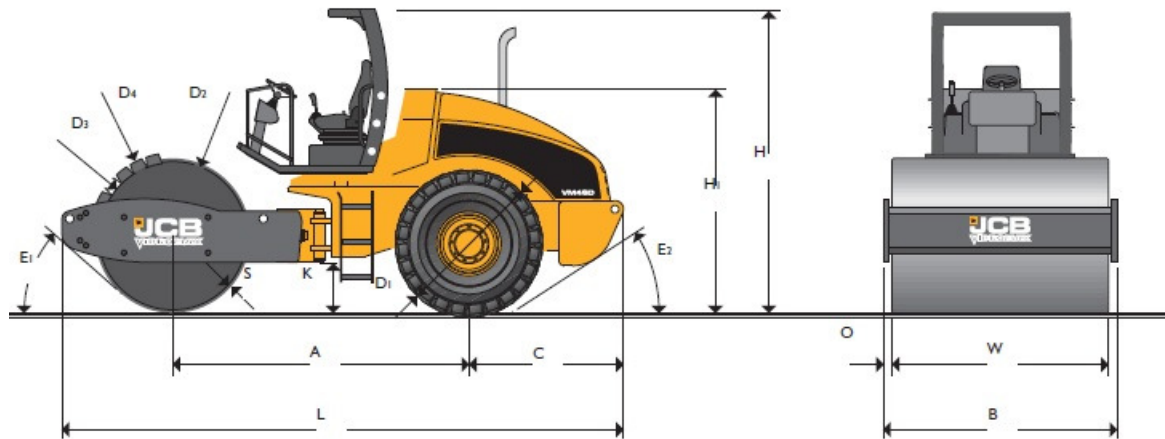


MasterRents

Address
46 Prince St
Danvers, MA 01923

Phone
978-762-RENT (7368)

60in 8 Ton Roller Compactor Dimension Sheet



STATIC DIMENSIONS

Dimensions in millimetres (in)		
A	Wheelbase	2200 (86.6)
B	Overall width	1520 (59.8)
C	Axle to rear face	1350 (53.1)
D1	Wheel diameter	1176 (46.3)
D2	Drum diameter (smooth drum)	1000 (39.4)
D3	Inner diameter padfoot drum	910 (35.8)
D4	Outer diameter padfoot drum	1070 (42.1)
H	Total travel clearance	2640 (103.9)
H1	Height to top of seat	1915 (75.4)
K	Ground clearance	335 (13.2)
L	Total travel length	4375 (172.2)
O	Overhang	60 (2.4)
S	Drum thickness	20 (0.8)
W	Drum width	1400 (55.1)
E1	Front departure angle	37°
E2	Rear departure angle	25°