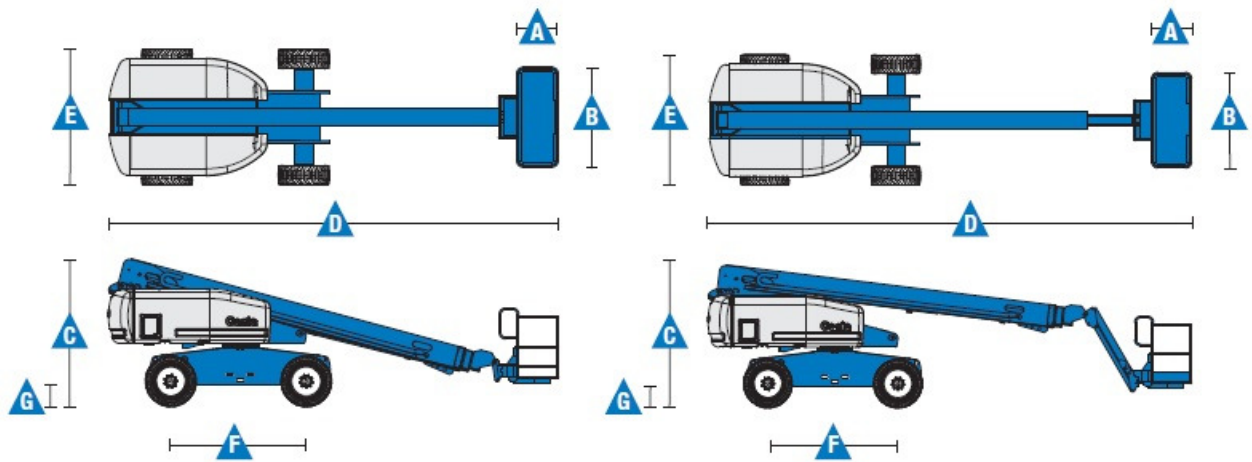




Address
46 Prince St
Danvers, MA 01923

Phone
978-762-RENT (7368)

60ft RT Boom Lift Dimension Sheet



Specifications

Models	S-60 X / S-60
Measurements	US
Working height maximum*	64 ft 4 in
Platform height maximum	58 ft 4 in
Horizontal reach maximum	50 ft 10 in
Below ground reach	5 ft 7 in
A Platform length	3 ft
B Platform width	8 ft
C Height - stowed	8 ft 11 in
Height - stowed Trax	9 ft 1 in
D Length - stowed	27 ft 11 in
Length - transport (jib tucked under)	_____
E Width (with standard tires)	8 ft 2 in
Width - Trax	8 ft 6 in
F Wheelbase	8 ft 2.5 in
G Ground clearance - center	1 ft 2.5 in